

## Steel boilers

# Taurus Dual HR



### TAURUS DUAL 70 ÷ 1300

#### Pressurized, high-efficiency boiler

- Fire-tube steel boiler with inverted flame flow
- To be coupled with gas- or oil-fired blown burners
- High-thickness insulation layer preventing heat losses
- Holder for control thermometers
- Zinc electro-plated, powder-paint finished steel casing
- Control panel (to be ordered separately), standard version (C) managing: two-stage burner, CH pump, recirculation pump, external water heater (option), operation and malfunction lights; in addition to the above, multi-zone version (PC) is designed for management of three zone pumps
- Efficiency rating according to 92/42/EEC: ★★★
- Maximum operating pressure: 6 bar, higher pressures are available upon request

## Technical specifications

Model	Code	Output in kW		Dimensions			Net weight
		max	min	L (mm)	H (mm)	D (mm)	
TAURUS DUAL HR 70	<b>CTSxxGNB70</b>	70	35	750	1030	1055	Kg. 222
TAURUS DUAL HR 80	<b>CTSxxGNB80</b>	80	40	750	1030	1055	Kg. 222
TAURUS DUAL HR 90	<b>CTSxxGNB90</b>	90	45	750	1030	1195	Kg. 266
TAURUS DUAL HR 100	<b>CTSxxGNB1A</b>	100	50	750	1030	1195	Kg. 266
TAURUS DUAL HR 120	<b>CTSxxGNB1C</b>	120	60	750	1030	1195	Kg. 266
TAURUS DUAL HR 150	<b>CTSxxGNB1F</b>	150	75	800	1080	1440	Kg. 357
TAURUS DUAL HR 200	<b>CTSxxGNB2A</b>	200	100	800	1080	1440	Kg. 357
TAURUS DUAL HR 250	<b>CTSxxGNB2F</b>	250	125	800	1180	1690	Kg. 442
TAURUS DUAL HR 300	<b>CTSxxGNB3A</b>	300	150	900	1180	1690	Kg. 489
TAURUS DUAL HR 350	<b>CTSxxGNB3F</b>	350	175	900	1180	1940	Kg. 558
TAURUS DUAL HR 400	<b>CTSxxGNB4A</b>	400	200	940	1190	1872	Kg. 600
TAURUS DUAL HR 500	<b>CTSxxGNB5A</b>	500	250	1160	1380	1950	Kg. 871
TAURUS DUAL HR 620	<b>CTSxxGNB6C</b>	620	310	1160	1380	2240	Kg. 981
TAURUS DUAL HR 750	<b>CTSxxGNB7F</b>	750	375	1290	1510	2255	Kg. 1230
TAURUS DUAL HR 850	<b>CTSxxGNB8F</b>	850	425	1290	1510	2255	Kg. 1230
TAURUS DUAL HR 950	<b>CTSxxGNB9F</b>	950	475	1290	1510	2500	Kg. 1446
TAURUS DUAL HR 1020	<b>CTSxxGNB1K</b>	1020	510	1440	1660	2500	Kg. 1880
TAURUS DUAL HR 1200	<b>CTSxxGNB1M</b>	1200	600	1440	1660	2500	Kg. 1880
TAURUS DUAL HR 1300	<b>CTSxxGNB1N</b>	1300	650	1440	1660	2500	Kg. 1880

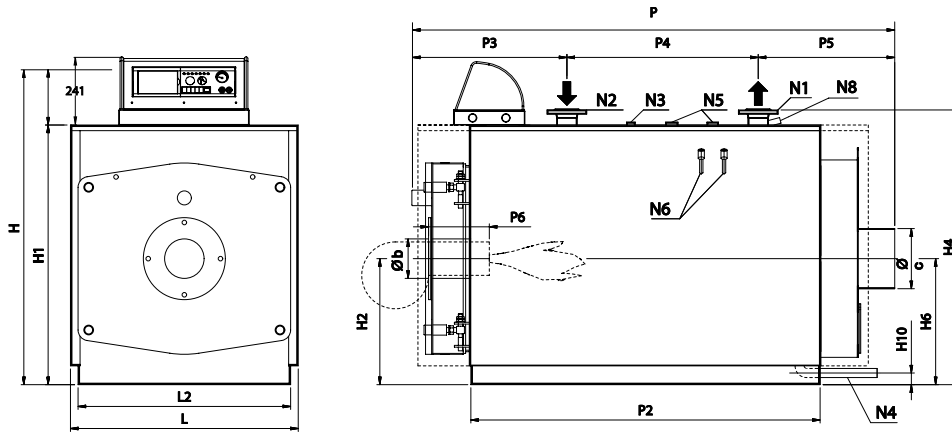
**NB:** The control panel is delivered separately and has to be assembled by the installer.

## Control panels:

Model	Code	Typology
PANEL 70 ÷ 500 C 15	<b>0QUADELE28</b>	STANDARD
PANEL 70 ÷ 500 PC 15	<b>0QUADELE29</b>	MULTIZONE
PANEL 620 ÷ 1.300 C 30	<b>0QUADELE30</b>	STANDARD
PANEL 620 ÷ 1.300 PC 30	<b>0QUADELE31</b>	MULTIZONE

**NB:** For suggested burner couplings to these boilers see pages 146 to 151

# Dimensions Taurus Dual HR 70 ÷ 1300



- N1** Boiler flow
- N2** Boiler return
- N3** Instrumentation coupling
- N4** System loading/unloading coupling
- N5** Safety valve(s) coupling
- N6** Bulb holders
- N8** Inspection well

Model	DIMENSIONS														COUPLINGS							
	H	H1	H2	H4	H6	H10	L	L2	P	P2	P3	P4	P5	P6	Øb	ØC	N1	N2	N3	N4	N5	N6
	mm	mm	mm	mm	mm	mm	mm	mm	mm	mm	mm	mm	mm	mm	mm	mm	DN/in	DN/in	DN/in	in	in	in
<b>70</b>	1030	855	415	911	415	54.5	750	700	1055	630	413	240	402	200-250	130	200	50	50	1"	1"	-	½"
<b>80</b>	1030	855	415	911	415	54.5	750	700	1055	630	413	240	402	200-250	130	200	50	50	1"	1"	-	½"
<b>90</b>	1030	855	415	911	415	54.5	750	700	1195	755	513	265	417	200-250	130	200	50	50	1"	1"	-	½"
<b>100</b>	1030	855	415	911	415	54.5	750	700	1195	755	513	265	417	200-250	130	200	50	50	1"	1"	-	½"
<b>120</b>	1030	855	415	911	415	54.5	750	700	1195	755	513	265	417	200-250	130	200	50	50	1"	1"	-	½"
<b>150</b>	1080	905	440	961	440	54.5	800	750	1440	1000	513	475	452	200-250	160	250	50	50	1"	1"	-	½"
<b>200</b>	1080	905	440	961	440	54.5	800	750	1440	1000	513	475	452	200-250	160	250	50	50	1"	1"	-	½"
<b>250</b>	1180	1005	440	1061	440	54.5	800	750	1690	1250	513	725	452	200-250	160	250	50	50	1"	1"	-	½"
<b>300</b>	1180	1005	490	1061	490	54.5	900	850	1690	1295	523	700	467	200-250	180	250	65	65	1"	1"	-	1½"
<b>350</b>	1180	1005	490	1061	490	54.5	900	850	1940	1500	523	980	437	200-250	180	250	65	65	1"	1"	-	1½"
<b>400</b>	1190	1015	500	1095	500	50	940	890	1872	1502	600	850	422	230-280	225	250	80	80	1"	1"	1¼ <sup>(1)</sup>	1½"
<b>500</b>	1380	1205	610	1285	610	60	1160	1110	1950	1502	663	850	437	270-320	225	300	80	80	1"	1¼"	1¼"	1½"
<b>620</b>	1380	1205	610	1285	610	60	1160	1110	2240	1792	663	1150	427	270-320	225	300	80	80	1"	1¼"	1¼"	1½"
<b>750</b>	1510	1335	675	1417	675	60	1290	1240	2255	1753	704	1100	451	270-320	280	350	100	100	1"	1¼"	1½"	1½"
<b>850</b>	1510	1335	675	1417	675	60	1290	1240	2255	1753	704	1100	451	270-320	280	350	100	100	1"	1¼"	1½"	1½"
<b>950</b>	1510	1335	675	1417	675	60	1290	1240	2500	2003	704	1200	596	270-320	280	350	100	100	1"	1¼"	1½"	1½"
<b>1020</b>	1660	1485	750	1568	750	60	1440	1390	2500	2003	704	1200	596	270-320	280	400	125	125	1"	1¼"	1½"	1½"
<b>1200</b>	1660	1485	750	1568	750	60	1440	1390	2500	2003	704	1200	596	270-320	280	400	125	125	1"	1¼"	1½"	1½"
<b>1300</b>	1660	1485	750	1568	750	60	1440	1390	2500	2003	704	1200	596	270-320	280	400	125	125	1"	1¼"	1½"	1½"

<sup>(1)</sup> One single coupling

## Accessories

Item	Description	Code
	Thermoregulation control unit kit for two-stage burners	<b>OKITCEEL05</b>
	Remote control for thermoregulation control unit (temperature regulation)	<b>OCREMOTO00</b>
	Remote control for thermoregulation control unit (all functions)	<b>OCREMOTO01</b>
	Model 70 - 80 - 90 - 100 - 120	<b>ORIVESUP00</b>
	Model 150 - 200 - 250	<b>ORIVESUP01</b>
	Model 300 - 350	<b>ORIVESUP02</b>
	Model 400	<b>ORIVESUP03</b>
	Model 500 - 620	<b>ORIVESUP04</b>
	Model 750 - 850 - 950	<b>ORIVESUP05</b>
	Model 1020 - 1200 - 1300	<b>ORIVESUP06</b>

## Steel boilers

# Taurus Dual HR



### TAURUS DUAL 1400 ÷ 3500

#### Pressurized, high-efficiency boiler

- Fire-tube steel boiler with inverted flame flow
- To be coupled with gas-fired blown burners
- Front door with reversible opening
- Rear door can be opened for inspection and cleaning of flue gas pipes
- Embossed aluminium round casing shell and high density rock wool layer insulation
- Holder for control thermometers
- Control panel (to be ordered separately), standard version (C) managing: two-stage burner, CH pump, recirculation pump, external water heater (option), operation and malfunction lights; in addition to the above, multi-zone version (PC) is designed for management of three zone pumps
- Efficiency rating according to 92/42/EEC: ★★★
- Maximum operating pressure: 6 bar, higher pressures are available upon request

## Technical specifications

Model	Code	Output in kW		Dimensions			Net weight
		max	min	L (mm)	H (mm)	D (mm)	
TAURUS DUAL HR 1400	<b>CTSxxGNB1O</b>	1400	700	1470	1746	2886	Kg. 2665
TAURUS DUAL HR 1600	<b>CTSxxGNB1Q</b>	1600	800	1470	1746	2886	Kg. 2665
TAURUS DUAL HR 1800	<b>CTSxxGNB1S</b>	1800	900	1470	1746	3096	Kg. 2815
TAURUS DUAL HR 2000	<b>CTSxxGNB2K</b>	2000	1000	1600	1876	3220	Kg. 3730
TAURUS DUAL HR 2400	<b>CTSxxGNB2O</b>	2400	1200	1600	1876	3480	Kg. 3980
TAURUS DUAL HR 3000	<b>CTSxxGNB3K</b>	3000	1500	1870	2146	3480	Kg. 5306
TAURUS DUAL HR 3500	<b>CTSxxGNB3P</b>	3500	1750	1870	2146	3935	Kg. 5806

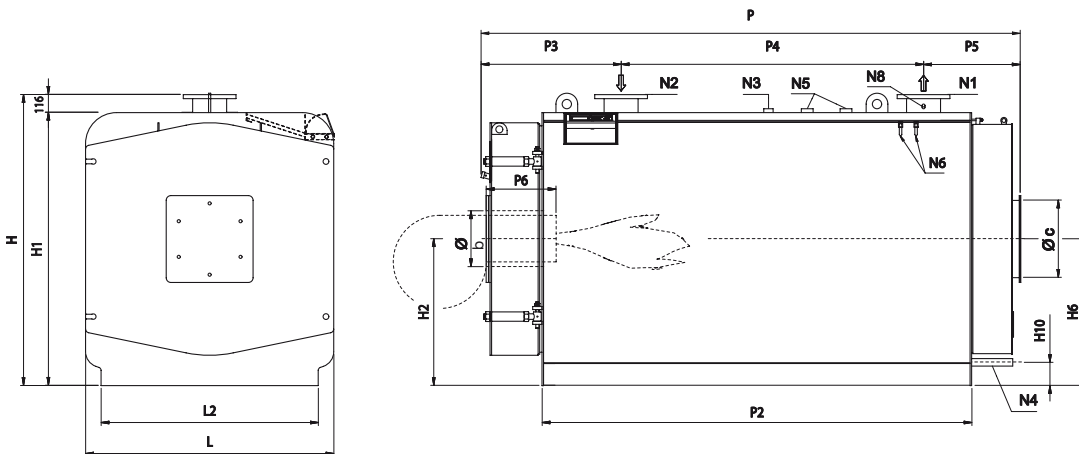
**NB:** The control panel is delivered separately and has to be assembled by the installer.

## Control panels:

Model	Code	Typology
PANEL C 30	<b>0QUADELE30</b>	STANDARD
PANEL PC 30	<b>0QUADELE31</b>	MULTIZONE

**NB:** For suggested burner couplings to these boilers see pages 146 to 151

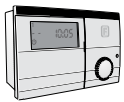
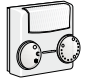

# Dimensions Taurus Dual HR 1400 ÷ 3500



- N1** Boiler flow
- N2** Boiler return
- N3** Instrumentation coupling
- N4** System loading/unloading coupling
- N5** Safety valve(s) coupling
- N6** Bulb holders
- N8** Inspection well

Model	DIMENSIONS													COUPLINGS							
	H	H1	H2	H6	H10	L	L2	P	P2	P3	P4	P5	P6	Øb	ØC	N1	N2	N3	N4	N5	N6
	mm	mm	mm	mm	mm	mm	mm	mm	mm	mm	mm	mm	mm	mm	mm	DN/in	DN/in	DN/in	in	in	in
<b>1400</b>	1746	1630	880	880	150	1470	1270	2886	2300	831	1300	755	350-400	320	400	150	150	1"	1 1/4"	1 1/2"	1/2"
<b>1600</b>	1746	1630	880	880	150	1470	1270	2886	2300	831	1300	755	350-400	320	400	150	150	1"	1 1/4"	1 1/2"	1/2"
<b>1800</b>	1746	1630	880	880	150	1470	1270	3096	2510	771	1850	475	450-500	320	400	150	150	1"	1 1/4"	1 1/2"	1/2"
<b>2000</b>	1876	1760	945	945	150	1600	1400	3220	2510	903	1550	767	450-500	360	500	200	200	1"	1 1/4"	2"	1/2"
<b>2400</b>	1876	1760	945	945	150	1600	1400	3480	2770	903	1950	627	450-500	360	500	200	200	1"	1 1/4"	2"	1/2"
<b>3000</b>	2146	2030	1080	1080	150	1870	1670	3480	2770	903	2050	527	450-500	400	550	200	200	1"	1 1/4"	2"	1/2"
<b>3500</b>	2146	2030	1080	1080	150	1870	1670	3935	3225	903	2050	982	450-500	400	550	200	200	1"	1 1/4"	2"	1/2"

## Accessories

Item	Description	Code
	Thermoregulation control unit kit for two-stage burners	<b>OKITCEEL05</b>
	Remote control for thermoregulation control unit (temperature regulation)	<b>OCREMOTO00</b>
	Remote control for thermoregulation control unit (all functions)	<b>OCREMOTO01</b>

## Steel boilers

# Taurus Dual



### TAURUS DUAL 70 ÷ 1300

#### Pressurized boiler

- Fire-tube steel boiler with inverted flame flow
- To be coupled with gas- or oil-fired blown burners
- High-thickness insulation layer preventing heat losses
- High-thickness steel flue gas ducts with helicoidal turbolators
- Holder for control thermometers
- Zinc electro-plated, powder-paint finished steel casing
- Control panel (to be ordered separately), standard version (C) managing: two-stage burner, CH pump, recirculation pump, external water heater (option), operation and malfunction lights; in addition to the above, multi-zone version (PC) is designed for management of three zone pumps
- Efficiency rating according to 92/42/EEC: ★★
- Maximum operating pressure: 6 bar, higher pressures are available upon request

## Technical specifications

Model	Code	Output in kW		Dimensions			Net weight
		max	min	L (mm)	H (mm)	D (mm)	
TAURUS DUAL 70	CTPxxGNB70	70	35	750	1030	1055	Kg. 200
TAURUS DUAL 80	CTPxxGNB80	80	40	750	1030	1055	Kg. 200
TAURUS DUAL 90	CTPxxGNB90	90	45	750	1030	1195	Kg. 240
TAURUS DUAL 100	CTPxxGNB1A	100	50	750	1030	1195	Kg. 240
TAURUS DUAL 120	CTPxxGNB1C	120	60	750	1030	1195	Kg. 240
TAURUS DUAL 150	CTPxxGNB1F	150	75	800	1080	1440	Kg. 320
TAURUS DUAL 200	CTPxxGNB2A	200	100	800	1080	1440	Kg. 320
TAURUS DUAL 250	CTPxxGNB2F	250	125	800	1180	1690	Kg. 400
TAURUS DUAL 300	CTPxxGNB3A	300	150	900	1180	1690	Kg. 440
TAURUS DUAL 350	CTPxxGNB3F	350	175	900	1180	1940	Kg. 500
TAURUS DUAL 400	CTPxxGNB4A	400	200	940	1190	1872	Kg. 540
TAURUS DUAL 500	CTPxxGNB5A	500	250	1160	1380	1950	Kg. 800
TAURUS DUAL 620	CTPxxGNB6C	620	310	1160	1380	2240	Kg. 900
TAURUS DUAL 750	CTPxxGNB7F	750	375	1290	1510	2255	Kg. 1140
TAURUS DUAL 850	CTPxxGNB8F	850	425	1290	1510	2255	Kg. 1140
TAURUS DUAL 950	CTPxxGNB9F	950	475	1290	1510	2500	Kg. 1340
TAURUS DUAL 1020	CTPxxGNB1K	1020	510	1440	1660	2500	Kg. 1760
TAURUS DUAL 1200	CTPxxGNB1M	1200	600	1440	1660	2500	Kg. 1760
TAURUS DUAL 1300	CTPxxGNB1N	1300	650	1440	1660	2500	Kg. 1760

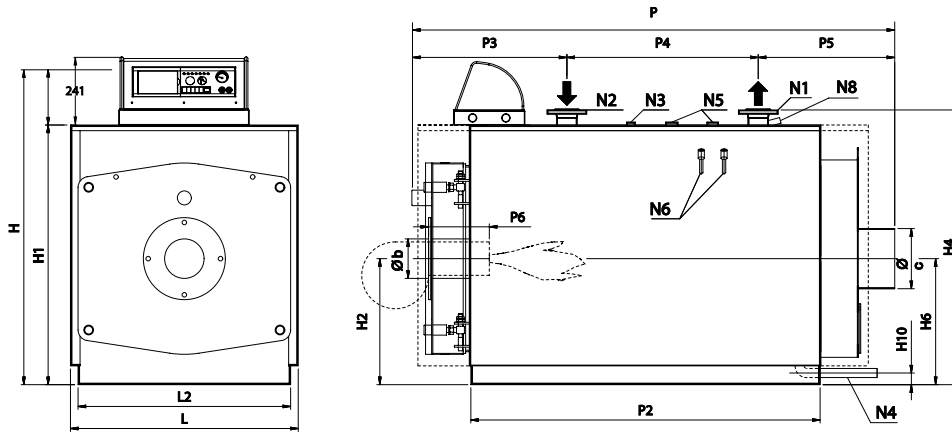
**NB:** The control panel is delivered separately and has to be assembled by the installer.

## Control panels:

Model	Code	Typology
PANEL 70 ÷ 500 C 15	<b>0QUADELE28</b>	STANDARD
PANEL 70 ÷ 500 PC 15	<b>0QUADELE29</b>	MULTIZONE
PANEL 620 ÷ 1.300 C 30	<b>0QUADELE30</b>	STANDARD
PANEL 620 ÷ 1.300 PC 30	<b>0QUADELE31</b>	MULTIZONE

**NB:** For suggested burner couplings to these boilers see pages 146 to 151

# Dimensions Taurus Dual 70 ÷ 1300



- N1** Boiler flow
- N2** Boiler return
- N3** Instrumentation coupling
- N4** System loading/unloading coupling
- N5** Safety valve(s) coupling
- N6** Bulb holders
- N8** Inspection well

Model	DIMENSIONS														COUPLINGS							
	H	H1	H2	H4	H6	H10	L	L2	P	P2	P3	P4	P5	P6	Øb	Øc	N1	N2	N3	N4	N5	N6
	mm	mm	mm	mm	mm	mm	mm	mm	mm	mm	mm	mm	mm	mm	mm	mm	DN/in	DN/in	DN/in	in	in	in
<b>70</b>	1030	855	415	911	415	54.5	750	700	1055	630	413	240	402	200-250	130	200	50	50	1"	1"	-	½"
<b>80</b>	1030	855	415	911	415	54.5	750	700	1055	630	413	240	402	200-250	130	200	50	50	1"	1"	-	½"
<b>90</b>	1030	855	415	911	415	54.5	750	700	1195	755	513	265	417	200-250	130	200	50	50	1"	1"	-	½"
<b>100</b>	1030	855	415	911	415	54.5	750	700	1195	755	513	265	417	200-250	130	200	50	50	1"	1"	-	½"
<b>120</b>	1030	855	415	911	415	54.5	750	700	1195	755	513	265	417	200-250	130	200	50	50	1"	1"	-	½"
<b>150</b>	1080	905	440	961	440	54.5	800	750	1440	1000	513	475	452	200-250	160	250	50	50	1"	1"	-	½"
<b>200</b>	1080	905	440	961	440	54.5	800	750	1440	1000	513	475	452	200-250	160	250	50	50	1"	1"	-	½"
<b>250</b>	1180	1005	440	1061	440	54.5	800	750	1690	1250	513	725	452	200-250	160	250	50	50	1"	1"	-	½"
<b>300</b>	1180	1005	490	1061	490	54.5	900	850	1690	1295	523	700	467	200-250	180	250	65	65	1"	1"	-	1½"
<b>350</b>	1180	1005	490	1061	490	54.5	900	850	1940	1500	523	980	437	200-250	180	250	65	65	1"	1"	-	1½"
<b>400</b>	1190	1015	500	1095	500	50	940	890	1872	1502	600	850	422	230-280	225	250	80	80	1"	1"	1¼ <sup>(1)</sup>	1½"
<b>500</b>	1380	1205	610	1285	610	60	1160	1110	1950	1502	663	850	437	270-320	225	300	80	80	1"	1¼"	1¼"	1½"
<b>620</b>	1380	1205	610	1285	610	60	1160	1110	2240	1792	663	1150	427	270-320	225	300	80	80	1"	1¼"	1¼"	1½"
<b>750</b>	1510	1335	675	1417	675	60	1290	1240	2255	1753	704	1100	451	270-320	280	350	100	100	1"	1¼"	1½"	1½"
<b>850</b>	1510	1335	675	1417	675	60	1290	1240	2255	1753	704	1100	451	270-320	280	350	100	100	1"	1¼"	1½"	1½"
<b>950</b>	1510	1335	675	1417	675	60	1290	1240	2500	2003	704	1200	596	270-320	280	350	100	100	1"	1¼"	1½"	1½"
<b>1020</b>	1660	1485	750	1568	750	60	1440	1390	2500	2003	704	1200	596	270-320	280	400	125	125	1"	1¼"	1½"	1½"
<b>1200</b>	1660	1485	750	1568	750	60	1440	1390	2500	2003	704	1200	596	270-320	280	400	125	125	1"	1¼"	1½"	1½"
<b>1300</b>	1660	1485	750	1568	750	60	1440	1390	2500	2003	704	1200	596	270-320	280	400	125	125	1"	1¼"	1½"	1½"

<sup>(1)</sup> One single coupling

## Accessories

Item	Description	Code
	Thermoregulation control unit kit for two-stage burners	<b>OKITCEEL05</b>
	Remote control for thermoregulation control unit (temperature regulation)	<b>OCREMOTO00</b>
	Remote control for thermoregulation control unit (all functions)	<b>OCREMOTO01</b>
	Model 70 - 80 - 90 - 100 - 120	<b>ORIVESUP00</b>
	Model 150 - 200 - 250	<b>ORIVESUP01</b>
	Model 300 - 350	<b>ORIVESUP02</b>
	Model 400	<b>ORIVESUP03</b>
	Model 500 - 620	<b>ORIVESUP04</b>
	Model 750 - 850 - 950	<b>ORIVESUP05</b>
	Model 1020 - 1200 - 1300	<b>ORIVESUP06</b>

## Steel boilers

# Taurus Dual



### TAURUS DUAL 1400 ÷ 3500

#### Pressurized boiler

- Fire-tube steel boiler with inverted flame flow
- To be coupled with gas- or oil-fired blown burners
- Front door with reversible opening
- Rear door can be opened for inspection and cleaning of flue gas pipes
- Embossed aluminium round casing shell and high density rock wool layer insulation
- High-thickness steel flue gas ducts with helicoidal turbolators
- Holder for control thermometers
- Control panel (to be ordered separately), standard version (C) managing: two-stage burner, CH pump, recirculation pump, external water heater (option), operation and malfunction lights; in addition to the above, multi-zone version (PC) is designed for management of three zone pumps
- Efficiency rating according to 92/42/EEC: ★★
- Maximum operating pressure: 6 bar, higher pressures are available upon request

## Technical specifications

Model	Code	Output in kW		Dimensions			Net weight
		max	min	L (mm)	H (mm)	D (mm)	
TAURUS DUAL 1400	<b>CTPxxGNB10</b>	1400	700	1470	1746	2886	Kg. 2600
TAURUS DUAL 1600	<b>CTPxxGNB1Q</b>	1600	800	1470	1746	2886	Kg. 2600
TAURUS DUAL 1800	<b>CTPxxGNB1S</b>	1800	900	1470	1746	3096	Kg. 2750
TAURUS DUAL 2000	<b>CTPxxGNB2K</b>	2000	1000	1600	1876	3220	Kg. 3650
TAURUS DUAL 2400	<b>CTPxxGNB2O</b>	2400	1200	1600	1876	3480	Kg. 3900
TAURUS DUAL 3000	<b>CTPxxGNB3K</b>	3000	1500	1870	2146	3480	Kg. 5200
TAURUS DUAL 3500	<b>CTPxxGNB3P</b>	3500	1750	1870	2146	3935	Kg. 5700

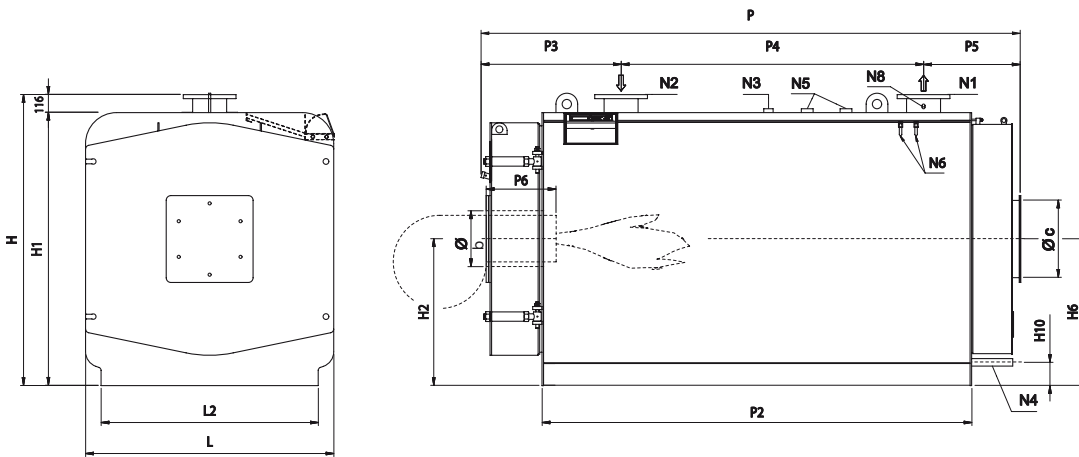
**NB:** The control panel is delivered separately and has to be assembled by the installer.

## Control panels:

Model	Code	Typology
PANEL C 30	<b>0QUADELE30</b>	STANDARD
PANEL PC 30	<b>0QUADELE31</b>	MULTIZONE

**NB:** For suggested burner couplings to these boilers see pages 146 to 151

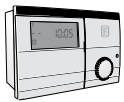
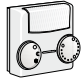
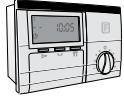
# Dimensions Taurus Dual 1400 ÷ 3500



- N1** Boiler flow
- N2** Boiler return
- N3** Instrumentation coupling
- N4** System loading/unloading coupling
- N5** Safety valve(s) coupling
- N6** Bulb holders
- N8** Inspection well

Model	DIMENSIONS													COUPLINGS							
	H	H1	H2	H6	H10	L	L2	P	P2	P3	P4	P5	P6	Øb	ØC	N1	N2	N3	N4	N5	N6
	mm	mm	mm	mm	mm	mm	mm	mm	mm	mm	mm	mm	mm	mm	mm	DN/in	DN/in	DN/in	in	in	in
<b>1400</b>	1746	1630	880	880	150	1470	1270	2886	2300	831	1300	755	350-400	320	400	150	150	1"	1 1/4"	1 1/2"	1/2"
<b>1600</b>	1746	1630	880	880	150	1470	1270	2886	2300	831	1300	755	350-400	320	400	150	150	1"	1 1/4"	1 1/2"	1/2"
<b>1800</b>	1746	1630	880	880	150	1470	1270	3096	2510	771	1850	475	450-500	320	400	150	150	1"	1 1/4"	1 1/2"	1/2"
<b>2000</b>	1876	1760	945	945	150	1600	1400	3220	2510	903	1550	767	450-500	360	500	200	200	1"	1 1/4"	2"	1/2"
<b>2400</b>	1876	1760	945	945	150	1600	1400	3480	2770	903	1950	627	450-500	360	500	200	200	1"	1 1/4"	2"	1/2"
<b>3000</b>	2146	2030	1080	1080	150	1870	1670	3480	2770	903	2050	527	450-500	400	550	200	200	1"	1 1/4"	2"	1/2"
<b>3500</b>	2146	2030	1080	1080	150	1870	1670	3935	3225	903	2050	982	450-500	400	550	200	200	1"	1 1/4"	2"	1/2"

## Accessories

Item	Description	Code
	Thermoregulation control unit kit for two-stage burners	<b>OKITCEEL05</b>
	Remote control for thermoregulation control unit (temperature regulation)	<b>OCREMOTO00</b>
	Remote control for thermoregulation control unit (all functions)	<b>OCREMOTO01</b>