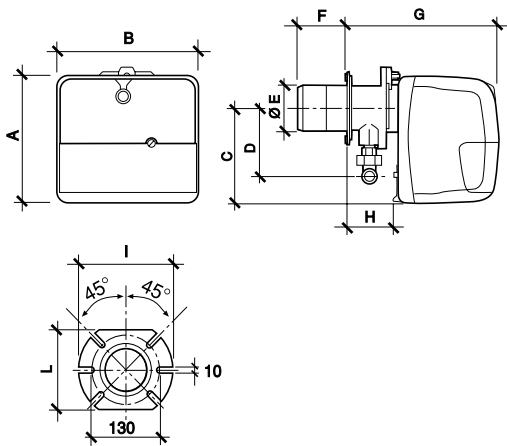


Gas burners

Focós 1M



FOCÓS 1M

Gas-fired single-stage burner, engineered for low- and medium-pressurized boilers.

- Methane- or LPG-fired
- External adjustment of combustion head and air intake
- Gravitational fully closing air damper while at rest
- Sound-proofed casing

Accessories included in the supply

- Flange and seal screen

Model	A	B	C	D	E
MTF 50	249	285	186	138	91
	F	G	H	I	L
	100	303	96	170	140

Model	A	B	C	D	E
MTF 100	275	326	208	142	105
	F	G	H	I	L
	110	355	123	185	160

Model	Code		Pre-adjustment output (kW)	Gross weight
FOCÓS 1 MTF 50	METHANE	BFMxx2E650	18 ÷ 52	Kg. 11
	LPG	BFMxx3E650		
FOCÓS 1 MTF 100	METHANE	BFMxx2E91A	46 ÷ 93	Kg. 15
	LPG	BFMxx3E91A		

GAS TRAINS*

Model	Code	Coupling	Gross weight
MB - DLE 403	ORAMPGAS00	FOCÓS 1 MTF 50	Kg. 1.7
MB - DLE 405	ORAMPGAS01	FOCÓS 1 MTF 50	Kg. 3
MB - DLE 407	ORAMPGAS02	FOCÓS 1 MTF 100	Kg. 3.1

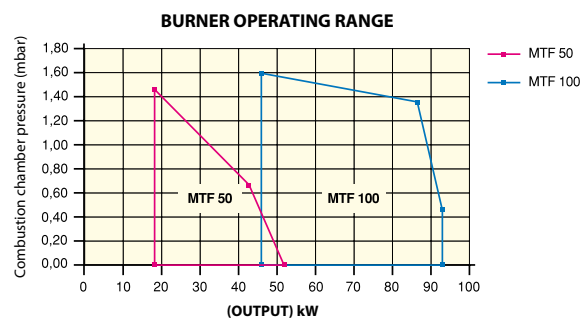
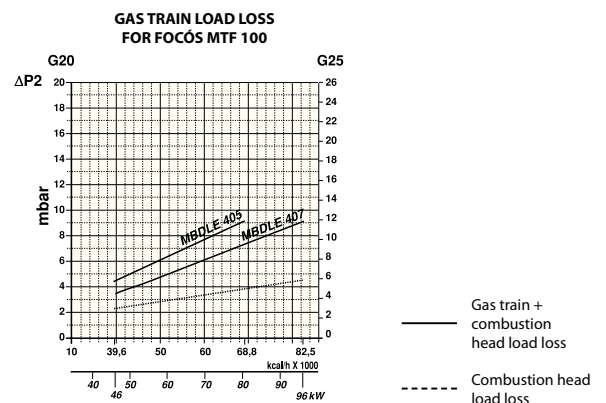
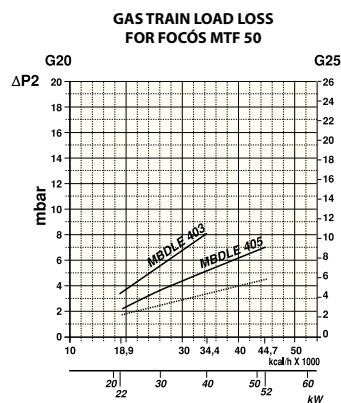
* EN 88 and EN 161, class A, group 2 gas trains include: gas filter, minimum gas pressure switch, safety valve, pressure stabilizer, single-stage adjusting valve.

TECHNICAL SPECIFICATIONS		Focós 1 MTF 50	Focós 1 MTF 100
Heat input*	kW	18 ÷ 52	46 ÷ 93
	kcal/h	15.480 ÷ 44.720	39.560 ÷ 79.980
Type of gas		G 20	G 20
Heating value**	MJ/m ³	34.02	34.02
	kcal/m ³	8127	8127
Density**	kg/m ³	0.68	0.68
Maximum flow rate**	m ³ /h	5.38	9.6
Gas pressure at maximum output	mbar	4.5	4.6
Electrical power supply		~ 50 Hz - 230 V	
Electric motor: starting current	A	2.2	2.6
Electric motor: running current	A	0.64	0.77
Control appliance		557 SE	557 SE
Electrical power	W	150	180
Electrical protection		IP 40	IP 40
Sound pressure	dBA	58	63
Gas train coupling diameter		G ½	G ¾

* Reference conditions: room temperature 20 °C - 1013 mbar.

** Standard reference conditions: temperature 15 °C - 1013 mbar.

GAS TRAINS				
Model	Coupling diameter		Minimum gas pressure (mbar)	For coupling to
	Supply network	Burner		
MBDLE 403	G ½	G ½	10	FOCÓS 1 MTF 50
MBDLE 405	G ½	G ½	10	FOCÓS 1 MTF 50 FOCÓS 1 MTF 100
MBDLE 407	G ½*	G ½	10	FOCÓS 1 MTF 100



Boiler and diesel oil-fired burner coupling

DRAGO DUAL	BURNER MODEL	BURNER TYPE
DRAGO DUAL 23	FOCÓS DUAL 1 GTFR 3	SINGLE STAGE
DRAGO DUAL 33	FOCÓS DUAL 1 GTFR 4	SINGLE STAGE
DRAGO DUAL 43	FOCÓS DUAL 1 GTF 5	SINGLE STAGE
DRAGO DUAL 53	FOCÓS 1 GTF 6	SINGLE STAGE
DRAGO DUAL 63	FOCÓS 1 GTF 7	SINGLE STAGE
DRAGO DUAL 73	FOCÓS 1 GTF 8	SINGLE STAGE

TAURUS DUAL	BURNER MODEL [♦]	BURNER TYPE
TAURUS DUAL 70	RG 2 KD	TWO-STAGE
TAURUS DUAL 80	RG 3	SINGLE STAGE
	RG 3D	TWO-STAGE
TAURUS DUAL 90	RG 3	SINGLE STAGE
	RG 3D	TWO-STAGE
TAURUS DUAL 100	RG 3	SINGLE STAGE
	RG 3D	TWO-STAGE
TAURUS DUAL 120	RG 3	SINGLE STAGE
	RG 3D	TWO-STAGE
TAURUS DUAL 150	RG 4S	SINGLE STAGE
	RG 4D	TWO-STAGE
TAURUS DUAL 200	RG 5S	SINGLE STAGE
	RG 5D	TWO-STAGE
	RL 28/M	MODULATING
TAURUS DUAL 250	RL 34/1 MZ t.c.	SINGLE STAGE
	RL 34 MZ t.c.	TWO-STAGE
	RL 28/M	MODULATING
TAURUS DUAL 300	RL 34 MZ t.c.	TWO-STAGE
	RL 28/M	MODULATING
TAURUS DUAL 350	RL 44 MZ t.c.	TWO-STAGE
	RL 38/M	MODULATING
TAURUS DUAL 400	RL 50 t.c.	TWO-STAGE
	RL 38/M	MODULATING
TAURUS DUAL 500	RL 50 t.l.	TWO-STAGE
	RL 50/M	MODULATING
TAURUS DUAL 620	RL 70 t.l.	TWO-STAGE
	RL 70/M	MODULATING
TAURUS DUAL 750	RL 70 t.l.	TWO-STAGE
	RL 70/M	MODULATING
TAURUS DUAL 850	RL 100 t.l.	TWO-STAGE
	RL 100/M	MODULATING
TAURUS DUAL 950	RL 100 t.l.	TWO-STAGE
	RL 100/M	MODULATING
TAURUS DUAL 1020	RL 100 t.l.	TWO-STAGE
	RL 100/M	MODULATING

TAURUS DUAL	BURNER MODEL [♦]	BURNER TYPE
TAURUS DUAL 1200	RL 130 t.l.	TWO-STAGE
	RL 130/M	MODULATING
TAURUS DUAL 1300	RL 130 t.l.	TWO-STAGE
	RL 130/M	MODULATING
TAURUS DUAL 1400	RL 130 t.l.	TWO-STAGE
	RL 130/M	MODULATING
TAURUS DUAL 1600	RL 190 t.c.	TWO-STAGE
	RL 190/M	MODULATING
TAURUS DUAL 1800	RL 190 t.c.	TWO-STAGE
	RL 190/M	MODULATING
TAURUS DUAL 2000	RL 190 t.c.	TWO-STAGE
	RL 190/M	MODULATING
TAURUS DUAL 2400	P 300 T/G t.c.	TWO-STAGE
	P 300 P/G t.c.	MODULATING
TAURUS DUAL 3000	P 450 T/G t.c.	TWO-STAGE
	P 450 P/G t.c.	MODULATING
TAURUS DUAL 3500	P 450 T/G t.c.	TWO-STAGE
	P 450 P/G t.c.	MODULATING

KEY


t.c.: Short head


t.l.: Long head

[♦]Recommended coupling of Riello burners to Nova Florida boilers. Burners may be bought from Riello distributors in your country.

Boiler and diesel gas-fired burner coupling

DRAGO DUAL	BURNER MODEL	BURNER TYPE	GAS TRAIN MODEL	MIN. PRESSURE (mbar)
DRAGO DUAL 23	-	-	-	-
DRAGO DUAL 33	Focós 1 MTF 50	SINGLE STAGE	MB - DLE 403	9
			MB - DLE 405	7
DRAGO DUAL 43	Focós 1 MTF 50	SINGLE STAGE	MB - DLE 405	7
DRAGO DUAL 53	Focós 1 MTF 100	SINGLE STAGE	MB - DLE 405	10
			MB - DLE 407	8
DRAGO DUAL 63	Focós 1 MTF 100	SINGLE STAGE	MB - DLE 405	10
			MB - DLE 407	8
DRAGO DUAL 73	Focós 1 MTF 100	SINGLE STAGE	MB - DLE 405	12
			MB - DLE 407	10

TAURUS DUAL	BURNER MODEL 	BURNER TYPE	GAS TRAIN MODEL	MIN. PRESSURE (mbar)
TAURUS DUAL 70 TAURUS DUAL HR 70	BS 2 t.l.	SINGLE STAGE	MBDLE 405	13
	BS 2 t.l.	SINGLE STAGE	MBDLE 407 FB	11
	BS 2D t.l.	TWO-STAGE	MBZRDLE 405	12.5
	BS 2D t.l.	TWO-STAGE	MBZRDLE 407 FB	11
	BS 2/M t.l. *	MODULATING	CG120	12.5
TAURUS DUAL 80 TAURUS DUAL HR 80	BS 2 t.l.	SINGLE STAGE	MBDLE 405	15
	BS 2 t.l.	SINGLE STAGE	MBDLE 407 FB	13
	BS 2D t.l.	TWO-STAGE	MBZRDLE 405	15
	BS 2D t.l.	TWO-STAGE	MBZRDLE 407 FB	13
	BS 2/M t.l. *	MODULATING	CG220	17
TAURUS DUAL 90 TAURUS DUAL HR 90	BS 3 t.l.	SINGLE STAGE	MBDLE 407 FC	10
	BS 3 t.l.	SINGLE STAGE	MBDLE 410 FC	10
	BS 3D t.l.	TWO-STAGE	MBZRDLE 407 FC	10
	BS 3D t.l.	TWO-STAGE	MBZRDLE 410	10
	BS 3/M t.l. *	MODULATING	CG220	10
TAURUS DUAL 100 TAURUS DUAL HR 100	BS 3 t.l.	SINGLE STAGE	MBDLE 407 FC	10
	BS 3 t.l.	SINGLE STAGE	MBDLE 410 FC	10
	BS 3D t.l.	TWO-STAGE	MBZRDLE 407 FC	10
	BS 3D t.l.	TWO-STAGE	MBZRDLE 410	10
	BS 3/M t.l. *	MODULATING	CG220	10
TAURUS DUAL 120 TAURUS DUAL HR 120	BS 3 t.l.	SINGLE STAGE	MBDLE 407 FC	13
	BS 3 t.l.	SINGLE STAGE	MBDLE 410 FC	11
	BS 3 t.l.	SINGLE STAGE	MBDLE 412	10
	BS 3D t.l.	TWO-STAGE	MBZRDLE 407 FC	12
	BS 3D t.l.	TWO-STAGE	MBZRDLE 410	10
	BS 3/M t.l. *	MODULATING	CG220	10
TAURUS DUAL 150 TAURUS DUAL HR 150	BS 3 t.l.	SINGLE STAGE	MBDLE 410 FC	14
	BS 3 t.l.	SINGLE STAGE	MBDLE 412	13
	BS 3D t.l.	TWO-STAGE	MBZRDLE 410	15
	BS 3D t.l.	TWO-STAGE	MBZRDLE 412	13
	BS 3/M t.l. *	MODULATING	CG220	13
TAURUS DUAL 200 TAURUS DUAL HR 200	BS 4 t.l.	SINGLE STAGE	MBDLE 410 FC	12
	BS 4 t.l.	SINGLE STAGE	MBDLE 412	10
	BS 4D t.l.	TWO-STAGE	MBZRDLE 410	18
	BS 4D t.l.	TWO-STAGE	MBZRDLE 412	15
	RS 34/M MZ t.c. *	MODULATING	MBDLE 410 AC	20
TAURUS DUAL 250 TAURUS DUAL HR 250	RS 5	SINGLE STAGE	MBDLE 412	16
	RS 5	SINGLE STAGE	MBDLE 415	10
	RS 5D	TWO-STAGE	MBZRDLE 415	11
	RS 34 MZ t.l.	TWO-STAGE	MBD 415 AC	17
	RS 34 MZ t.l.	TWO-STAGE	MBD 420 AA	15
	RS 34/M MZ t.c. *	MODULATING	MBD 412	20
TAURUS DUAL 300 TAURUS DUAL HR 300	RS 5D	TWO-STAGE	MBZRDLE 415	12
	RS 34 MZ t.l.	TWO-STAGE	MBD 415	17
	RS 34 MZ t.l.	TWO-STAGE	MBD 420 AA	15
	RS 34 MZ t.l.	TWO-STAGE	MBD 420 AA CT	15
	RS 34/M MZ t.c. *	MODULATING	MBD 415	20
TAURUS DUAL 350 TAURUS DUAL HR 350	RS 44 MZ t.c. M.F.	TWO-STAGE	MBD 420 AA	15
	RS 44 MZ t.c. M.F.	TWO-STAGE	MBD 420 AA CT	15
	RS 44/M MZ t.c. M.F.*	MODULATING	MBD 415	13
	RS 44/M MZ t.c. M.F.*	MODULATING	MBD 420	10

TAURUS DUAL	BURNER MODEL 	BURNER TYPE	GAS TRAIN MODEL	MIN. PRESSURE (mbar)
TAURUS DUAL 400 TAURUS DUAL HR 400	RS 44 MZ t.c. M.F.	TWO-STAGE	MBD 420 AA	11
	RS 44 MZ t.c. M.F.	TWO-STAGE	MBD 420 AA CT	11
	RS 50 t.l.	TWO-STAGE	MBD 420 AA	11
	RS 50 t.l.	TWO-STAGE	MBD 420 AA CT	11
	RS 50 t.l.	TWO-STAGE	MBC 1200 SE 50 AA	10
	RS 50 t.l.	TWO-STAGE	MBC 1200 SE 50 AA CT	10
	RS 44/M MZ t.c. M.F. *	MODULATING	MBD 420 AA	11
	RS 44/M MZ t.c. M.F. *	MODULATING	MBD 420 AA CT	11
TAURUS DUAL 500 TAURUS DUAL HR 500	RS 50 t.l.	TWO-STAGE	MBD 420 AA	15
	RS 50 t.l.	TWO-STAGE	MBD 420 AA CT	15
	RS 50 t.l.	TWO-STAGE	MBC 1200 SE 50 AA	12
	RS 50 t.l.	TWO-STAGE	MBC 1200 SE 50 AA CT	12
	RS 70/M t.l. *	MODULATING	MBD 420	15
	RS 70/M t.l. *	MODULATING	MBD 420 CT	15
	RS 70/M t.l. *	MODULATING	MBC 1200 SE 50	12
	RS 70/M t.l. *	MODULATING	MBC 1200 SE 50 CT	12
TAURUS DUAL 620 TAURUS DUAL HR 620	RS 70 t.l.	TWO-STAGE	MBD 420 AA	20
	RS 70 t.l.	TWO-STAGE	MBD 420 AA CT	20
	RS 70 t.l.	TWO-STAGE	MBC 1200 SE 50 AA	13
	RS 70 t.l.	TWO-STAGE	MBC 1200 SE 50 AA CT	13
	RS 70/M t.l. *	MODULATING	MBD 420	20
	RS 70/M t.l. *	MODULATING	MBD 420 CT	20
	RS 70/M t.l. *	MODULATING	MBC 1200 SE 50	13
	RS 70/M t.l. *	MODULATING	MBC 1200 SE 50 CT	13
TAURUS DUAL 750 TAURUS DUAL HR 750	RS 70 t.l.	TWO-STAGE	MBD 420	32
	RS 70 t.l.	TWO-STAGE	MBD 420 CT	32
	RS 70 t.l.	TWO-STAGE	MBC 1200 SE 50	22
	RS 70 t.l.	TWO-STAGE	MBC 1200 SE 50 CT	22
	RS 100 t.l.	TWO-STAGE	MBD 420	20
	RS 100 t.l.	TWO-STAGE	MBD 420 CT	20
	RS 100 t.l.	TWO-STAGE	MBC 1200 SE 50	11
	RS 100 t.l.	TWO-STAGE	MBC 1200 SE 50 CT	11
	RS 70/M t.l. *	MODULATING	MBD 420	32
	RS 70/M t.l. *	MODULATING	MBD 420 CT	32
	RS 70/M t.l. *	MODULATING	MBC 1200 SE 50	22
	RS 70/M t.l. *	MODULATING	MBC 1200 SE 50 CT	22
	RS 100/M t.l. *	MODULATING	MBD 420	20
	RS 100/M t.l. *	MODULATING	MBD 420 CT	20
RS 100/M t.l. *	MODULATING	MBC 1200 SE 50	11	
RS 100/M t.l. *	MODULATING	MBC 1200 SE 50 CT	11	
TAURUS DUAL 850 TAURUS DUAL HR 850	RS 100 t.l.	TWO-STAGE	MBD 420	25
	RS 100 t.l.	TWO-STAGE	MBD 420 CT	25
	RS 100 t.l.	TWO-STAGE	MBC 1200 SE 50	13
	RS 100 t.l.	TWO-STAGE	MBC 1200 SE 50 CT	13
	RS 100/M t.l. *	MODULATING	MBD 420	25
	RS 100/M t.l. *	MODULATING	MBD 420 CT	25
	RS 100/M t.l. *	MODULATING	MBC 1200 SE 50	13
	RS 100/M t.l. *	MODULATING	MBC 1200 SE 50 CT	13

 Recommended coupling of Riello burners to Nova Florida boilers. Burners may be bought from Riello distributors in your country.

TAURUS DUAL	BURNER MODEL [♦]	BURNER TYPE	GAS TRAIN MODEL	MIN. PRESSURE (mbar)
TAURUS DUAL 950 TAURUS DUAL HR 950	RS 100 t.l.	TWO-STAGE	MBD 420	28
	RS 100 t.l.	TWO-STAGE	MBD 420 CT	28
	RS 100 t.l.	TWO-STAGE	MBC 1200 SE 50	15
	RS 100 t.l.	TWO-STAGE	MBC 1200 SE 50 CT	15
	RS 100/M t.l. *	MODULATING	MBD 420	28
	RS 100/M t.l. *	MODULATING	MBD 420 CT	28
	RS 100/M t.l. *	MODULATING	MBC 1200 SE 50	15
	RS 100/M t.l. *	MODULATING	MBC 1200 SE 50 CT	15
TAURUS DUAL 1020 TAURUS DUAL HR 1020	RS 100 t.l.	TWO-STAGE	MBD 420	42
	RS 100 t.l.	TWO-STAGE	MBD 420 CT	42
	RS 100 t.l.	TWO-STAGE	MBC 1200 SE 50	22
	RS 100 t.l.	TWO-STAGE	MBC 1200 SE 50 CT	22
	RS 100/M t.l. *	MODULATING	MBD 420	32
	RS 100/M t.l. *	MODULATING	MBD 420 CT	32
	RS 100/M t.l. *	MODULATING	MBC 1200 SE 50	18
	RS 100/M t.l. *	MODULATING	MBC 1200 SE 50 CT	18
TAURUS DUAL 1200 TAURUS DUAL HR 1200	RS 130 t.c.	TWO-STAGE	MBD 420	38
	RS 130 t.c.	TWO-STAGE	MBD 420 CT	38
	RS 130 t.c.	TWO-STAGE	MBC 1200 SE 50	19
	RS 130 t.c.	TWO-STAGE	MBC 1200 SE 50 CT	19
	RS 130/M t.c. *	MODULATING	MBD 420	32
	RS 130/M t.c. *	MODULATING	MBD 420 CT	32
	RS 130/M t.c. *	MODULATING	MBC 1200 SE 50	17.5
	RS 130/M t.c. *	MODULATING	MBC 1200 SE 50 CT	17.5
TAURUS DUAL 1300 TAURUS DUAL HR 1300	RS 130 t.c.	TWO-STAGE	MBD 420	42
	RS 130 t.c.	TWO-STAGE	MBD 420 CT	42
	RS 130 t.c.	TWO-STAGE	MBC 1200 SE 50	22
	RS 130 t.c.	TWO-STAGE	MBC 1200 SE 50 CT	22
	RS 130/M t.c. *	MODULATING	MBD 420	42
	RS 130/M t.c. *	MODULATING	MBD 420 CT	42
	RS 130/M t.c. *	MODULATING	MBC 1200 SE 50	22
	RS 130/M t.c. *	MODULATING	MBC 1200 SE 50 CT	22
TAURUS DUAL 1400 TAURUS DUAL HR 1400	RS 190	TWO-STAGE	MBC 1200 SE 50 AI	22
	RS 190	TWO-STAGE	MBC 1200 SE 50 AI CT	22
	RS 190/M t.c. *	MODULATING	MBC 1200 SE 50 AI	22
	RS 190/M t.c. *	MODULATING	MBC 1200 SE 50 AI CT	22
TAURUS DUAL 1600 TAURUS DUAL HR 1600	RS 190	TWO-STAGE	MBC 1200 SE 50 AI	30
	RS 190	TWO-STAGE	MBC 1200 SE 50 AI CT	30
	RS 190	TWO-STAGE	MBC 1900 SE 65 AF	22
	RS 190	TWO-STAGE	MBC 1900 SE 65 AF CT	22
	RS 190/M t.c. *	MODULATING	MBC 1200 SE 50 AI	30
	RS 190/M t.c. *	MODULATING	MBC 1200 SE 50 AI CT	30
	RS 190/M t.c. *	MODULATING	MBC 1900 SE 65 AF	22
	RS 190/M t.c. *	MODULATING	MBC 1900 SE 65 AF CT	22

TAURUS DUAL	BURNER MODEL [◆]	BURNER TYPE	GAS TRAIN MODEL	MIN. PRESSURE (mbar)
TAURUS DUAL 1800 TAURUS DUAL HR 1800	RS 190	TWO-STAGE	MBC 1200 SE 50 AI	35
	RS 190	TWO-STAGE	MBC 1200 SE 50 AI CT	35
	RS 190	TWO-STAGE	MBC 1900 SE 65 AF	27
	RS 190	TWO-STAGE	MBC 1900 SE 65 AF CT	27
	RS 190/M t.c. *	MODULATING	MBC 1200 SE 50 AI	35
	RS 190/M t.c. *	MODULATING	MBC 1200 SE 50 AI CT	35
	RS 190/M t.c. *	MODULATING	MBC 1900 SE 65 AF	27
	RS 190/M t.c. *	MODULATING	MBC 1900 SE 65 AF CT	27
TAURUS DUAL 2000 TAURUS DUAL HR 2000	RS 250/M t.c.	TWO-STAGE	MBC 1200 SE 50	50
	RS 250/M t.c.	TWO-STAGE	MBC 1200 SE 50 CT	50
	RS 250/M t.c.	TWO-STAGE	MBC 1900 SE 65 AD	40
	RS 250/M t.c.	TWO-STAGE	MBC 1900 SE 65 AD CT	40
	RS 250/M t.c. ST *	MODULATING	MBC 1200 SE 50	50
	RS 250/M t.c. ST *	MODULATING	MBC 1200 SE 50 CT	50
	RS 250/M t.c. ST *	MODULATING	MBC 1900 SE 65 AD	40
	RS 250/M t.c. ST *	MODULATING	MBC 1900 SE 65 AD CT	40
TAURUS DUAL 2400 TAURUS DUAL HR 2400	RS 300/P BLU	TWO-STAGE	VGDF 65 AI1 CT	40
	RS 300/P BLU	TWO-STAGE	VGDF 80 AI2 CT	30
	RS 300/P M BLU *	MODULATING	VGDF 65 CT	40
TAURUS DUAL 3000 TAURUS DUAL HR 3000	RS 300/P BLU	TWO-STAGE	VGDF 65 AI1 CT	50
	RS 300/P BLU	TWO-STAGE	VGDF 80 AI2 CT	35
	RS 300/P M BLU *	MODULATING	VGDF 65 CT	50
	RS 300/P M BLU *	MODULATING	VGDF 80 CT	35
TAURUS DUAL 3500 TAURUS DUAL HR 3500	RS 400/P BLU	TWO-STAGE	VGDF 65 AI2 CT	70
	RS 400/P BLU	TWO-STAGE	VGDF 100 AI3 CT	35
	RS 400/P M BLU *	MODULATING	VGDF 65 CT	70
	RS 400/P M BLU *	MODULATING	VGDF 100 CT	35

KEY

*: Models including modulation kit

CT: Tightness control

ST: Temperature probe

t.c.: Short head

t.l.: Long head

FB: Type b flange

FC: Type c flange

AA: With adaptor A

AC: With adaptor C

AD: With adaptor D

AF: With adaptor F

AI: With adaptor I

AXx: With adaptor I1

AI2: With adaptor I2

AI3: With adaptor I3

[◆] Recommended coupling of Riello burners to Nova Florida boilers. Burners may be bought from Riello distributors in your country.